

WUE-567

Industrial IP-67 Unmanaged Ethernet Switch



Features

High Performance Network Switching Technology

- ✓ Complies with IEEE 802.3, IEEE 802.3u, IEEE 802.3X
- ✓ Provides 5 x 10/100 Mbps Ethernet ports with RJ-45 connector
- ✓ RJ-45 Port support auto MDI/MDI-X crossover
- ✓ Each port supports both 10/100 Mbps speed auto negotiation
- ✓ 1.4Gbps high performance memory bandwidth
- ✓ Integrated look-up engine with dedicated 1K unicast MAC addresses

Robust Industrial Design

- ✓ Robust housing complying to IP-67 housing standard
- ✓ Supports operating temperature -10 to 70°C
- ✓ DIN-Rail, Panel mount or desktop installation

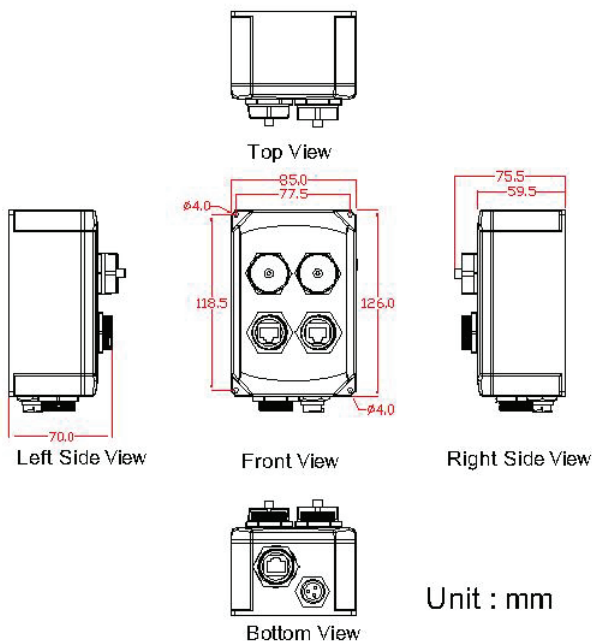
Reliable Power Design

- ✓ Supports 10~30 VDC voltage with 1KV isolation
- ✓ Supports Reverse Polarity Protection

Overview

The Whale series WUE-567 is a highly reliable and fault-tolerant Industrial 5-port Unmanaged IP-67 Switch. It has 5 10/100TX RJ45 ports that support IEEE 802.3/802.3u/802.3x with 10/100M, full/half duplex, and MDI/MDI-X auto-sensing. WUE-567 Ethernet Switches are designed for use in industrial waterproof & harsh environments. Built with IP-67 connectors, it guarantees a total protection that can withstand a variety of extreme conditions such as high temperature, extreme shock, vibration, dust particles, oil or even liquid immersion. WUE-567 is designed for the toughest applications and can be mounted directly to any machine or convenient flat surface. With high performance design of 1.4 Gbps bandwidth, WUE-567 can simultaneously handle full wire speed communication on each port. A dedicated uplink port enables a connection to other switches without use of a crossover cable. No programming is necessary, as the switch auto-learns network addresses. The reliable power design of 10 to 30 VDC isolated power input keeps spikes and surges on the power line from damaging the power supply. The WUE-567 is a plug-and-play solution for your Industrial Ethernet applications.

Dimensions



Hardware Specifications

Interface

RJ-45 Ports	5 10/100Base-TX auto-negotiation speed, Full/Half duplex, auto MDI/MDI-X
Power Input	VDC 10~30V
Power Protection	Power reverse polarity protection
Power Consumption	2.16 watts
Dimensions	IP-67 standard, 85 mm (W) x 126 mm (H) x 75.5 mm (D)
Installation	DIN-Rail, Panel mount or desktop

Environmental

Operating Temperature	Regular: -10 to 70°C
Storage Temperature	-40 to 85°C (-40 to 185°F)
Operating Humidity	100% RH for Operating Temperature -10°C to 60°C

Technology Specifications

Standard	IEEE 802.3 10Base-T Ethernet IEEE 802.3u 100Base-TX Fast Ethernet IEEE802.3x Flow Control and Back-pressure
Network Media	10Base-T: 2-pair UTP/STP Cat. 3, 4, 5 cable EIA/TIA-568 100-ohm (100m) 100Base-TX: 2-pair UTP/STP Cat. 5/5e cable EIA/TIA-568 100-ohm (100m)
Protocol Technology	CSMA/CD
Switching Architecture	Store and Forward

Performance

Data Transfer Rate	14,880 pps for Ethernet port and 148,800 pps for Fast Ethernet port
MAC Address	1K
Memory Buffer	512 bytes
Back-plane	1.4 Gbps
Transfer packet size	1.19Mpps @ 64bytes

Regulatory Approvals

EMI	FCC Class A
EMS	EN6100-4-2 EN6100-4-3 EN6100-4-4 EN6100-4-5 EN6100-4-6 EN6100-4-8 EN6100-4-11
Safety	Pending
Shock	IEC60068-2-27
Vibration	IEC60068-2-6
Free Fall	IEC60068-2-32
Environmental	WEEE, RoHS
MTBF	440,000 hrs based on Mil-Hdbk-217F, GB
Warranty	5 years

Ordering Information

WUE-567	Industrial 5-port IP-67 Unmanaged Ethernet Switch
----------------	---

Recommended Accessories

DR-4524	45W/2A DIN-Rail 24 VDC power supply
DR-7524	75W/3.2A DIN-Rail 24 VDC power supply
DR-120-24	120W/5A DIN-Rail 24 VDC power supply