

**RUM-9024**

**Data Acquisition Modules**



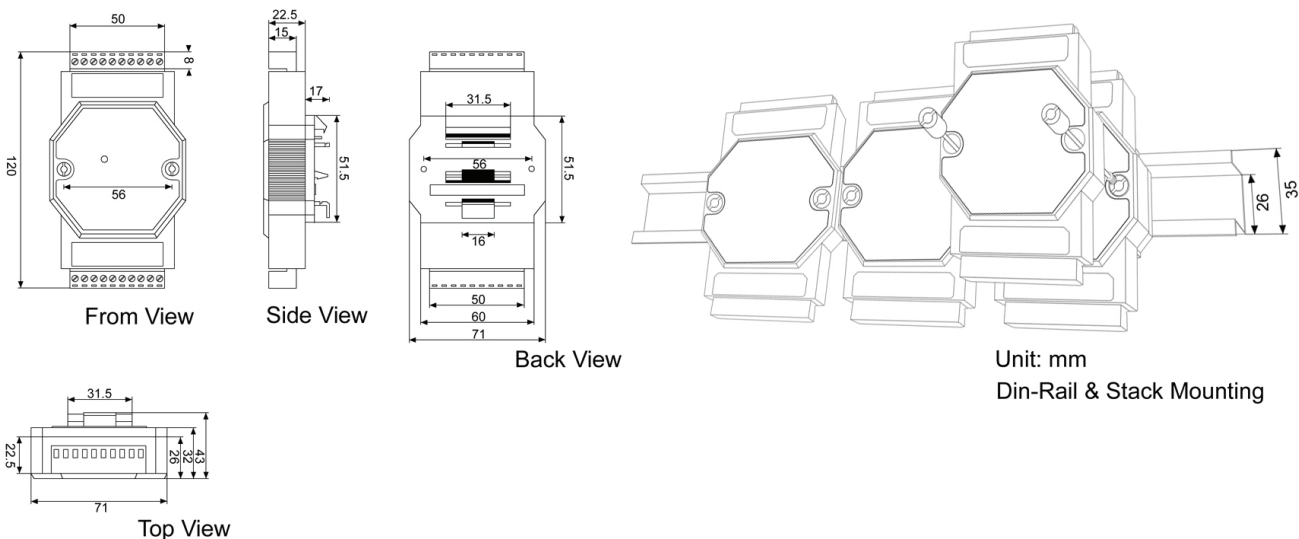
**Features**

- High Performance Design**
  - ✓ 12-bit resolution with 4 channel outputs
  - ✓ Portable data acquisition modules
  - ✓ Built in dual watchdog timer
  - ✓ Supports Modbus/RTU protocol
  - ✓ Software configurable
- Robust Industrial Design**
  - ✓ Robust ABS housing with captive mounting hardware
  - ✓ Supports operating temperature -25 to 75°C
  - ✓ DIN-Rail or Panel mount
- Reliable Power Design**
  - ✓ Supports 3000 VDC isolation
  - ✓ Supports +10V to 30V power I/P

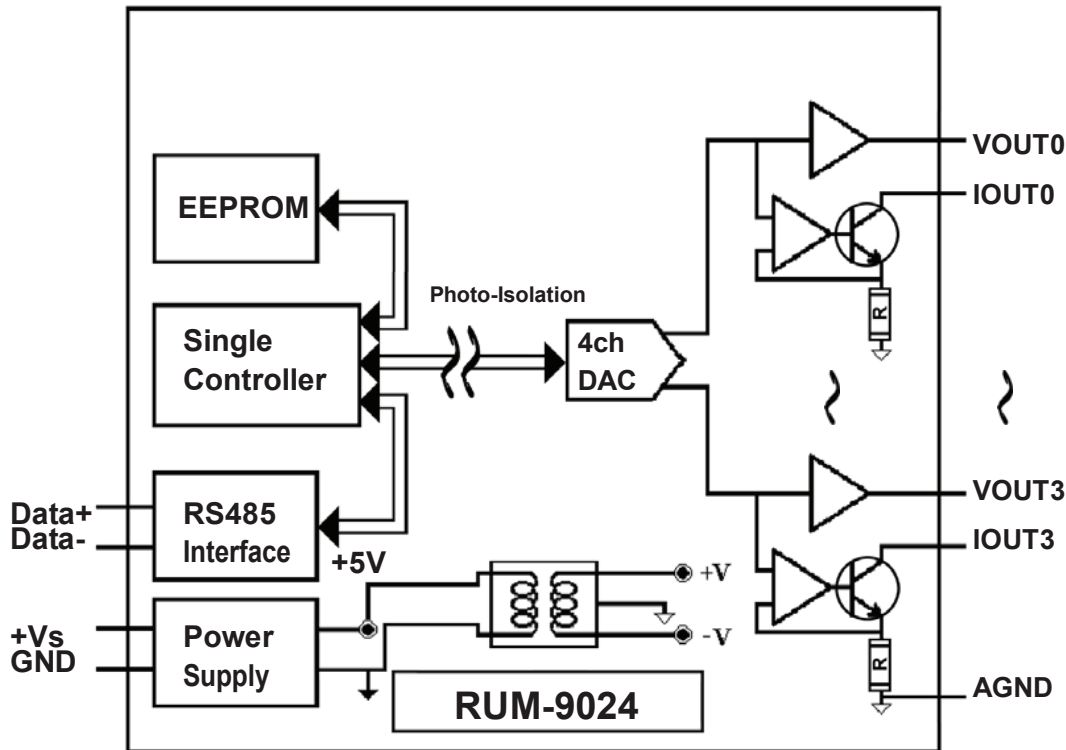
**Overview**

The Retriever series RUM-9024 is 12-bit, 4 channel analog output module. The RUM series offer a complete analog I/O series, including analog input and analog output modules. These modules can be easily configured for different types and ranges of input or output to support versatile applications in an Industrial environment. RUM-9024 is an extremely cost effective solution for industrial measurement, monitoring and distributed applications. It can transmit and receive data at high rates over long distances. With a robust industrial grade plastic housing, RUM-9024 provides intelligent signal conditioning, analog I/O, digital I/O, data display and serial/Ethernet/fieldbus communication.

**Dimensions**



## Block Diagrams



## Hardware Specifications

### Serial Interface

<b>Resolution</b>	12bit
<b>Analog O/P Channel</b>	4
<b>Voltage O/P</b>	+/-10V, 0-10V, +/-5V, 0-5V
<b>Current O/P</b>	0-20mA, 4-20mA
<b>Isolation</b>	3000V
<b>Safe Value</b>	When Host fails / Comm. fails
<b>Power On Value</b>	Yes
<b>Dual Watchdog Timer</b>	Yes

### Power Requirements

<b>Power I/P</b>	Unregulated +10 to +30VDC with protection from power reversals
<b>Power Consumption</b>	2 watts

### Physical

<b>Case</b>	ABS with captive mounting hardware
<b>Accessories</b>	NYLON DIN-rail Mounting Adapter SECC Panel Mounting Bracket
<b>Dimension</b>	70 (W) x 100 (H) x 20 (D) mm
<b>Weight</b>	0.4 kg

## Environmental

<b>Operating Temperature</b>	-25 to 75°C
<b>Storage Temperature</b>	-40 to 80°C
<b>Operating Humidity</b>	5%~95% RH (Non-condensing)

## Technology Specifications

### Regulatory Approvals

<b>EMI</b>	FCC Class A
<b>EMS</b>	EN6100-4-2, EN6100-4-3, EN-6100-4-4, EN6100-4-5, EN6100-4-6, EN61000-4-11
<b>Safety</b>	CE/EN60950
<b>Shock</b>	IEC60068-2-27
<b>Vibration</b>	IEC60068-2-6
<b>Free Fall</b>	IEC60068-2-32
<b>Environmental</b>	WEEE, RoHS
<b>MTBF</b>	450,000 hrs based on Mil-Hdbk-217F, GB
<b>Warranty</b>	5 years

## Ordering Information

<b>RUM-9024</b>	12bit, 4 A/O channels with Analog I/O Module
-----------------	--